

More Resources

Main Site	https://www.omadanetworks.com/
Video Center	https://support.omadanetworks.com/video/
Documents	https://support.omadanetworks.com/document/
Product Support	https://support.omadanetworks.com/product/
Technical Support	https://support.omadanetworks.com/contact-support/

Installation Guide

4G Outdoor Gateway

Images may differ from the actual product.
This guide uses ER703WP-4G-Outdoor as an example.

© 2026 TP-Link 7100003133 REV1.20.2

Warranty

For details on the warranty period, policy, and procedures, visit <https://support.omadanetworks.com/warranty-services/>.

Support

For technical support, user guides, and other information, please visit <https://support.omadanetworks.com/>, or simply scan the QR code.

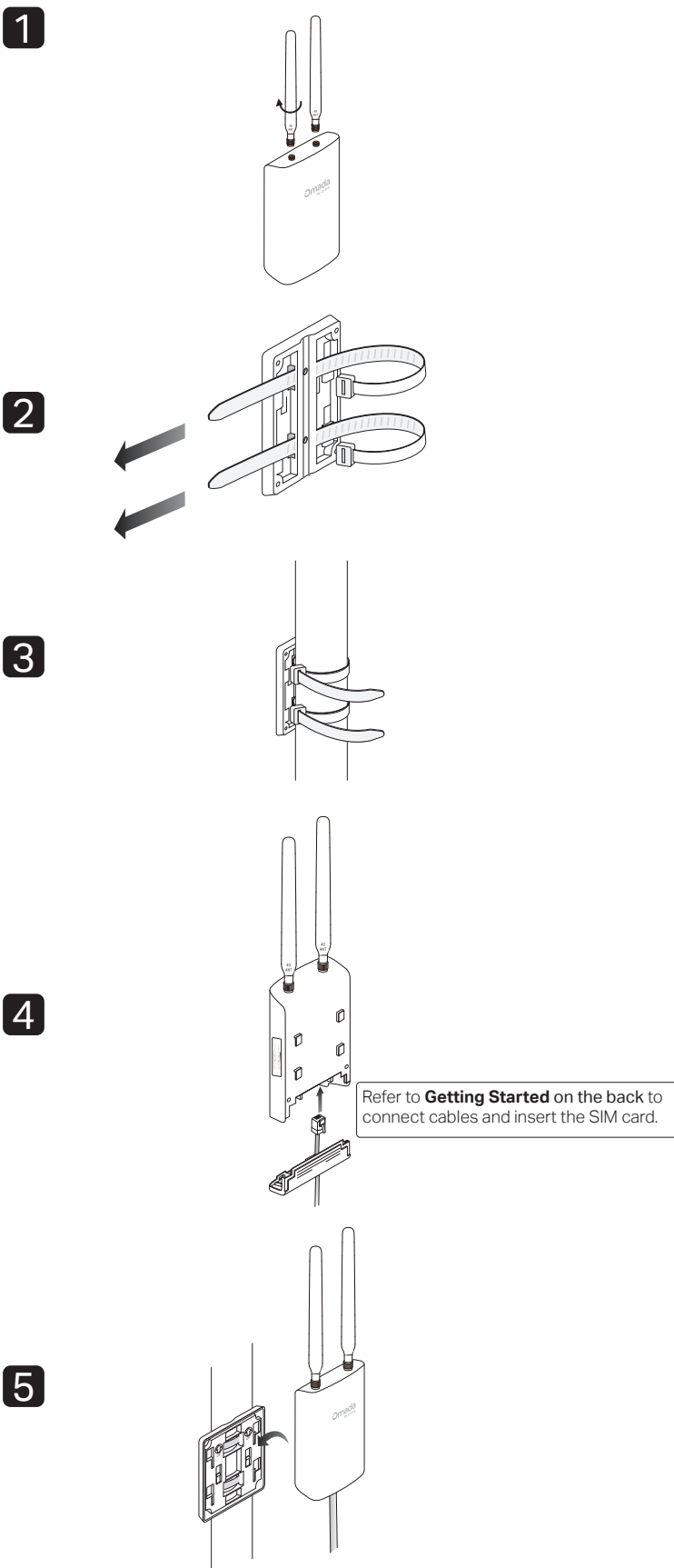
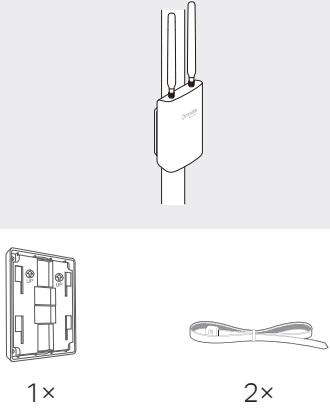


Mounting

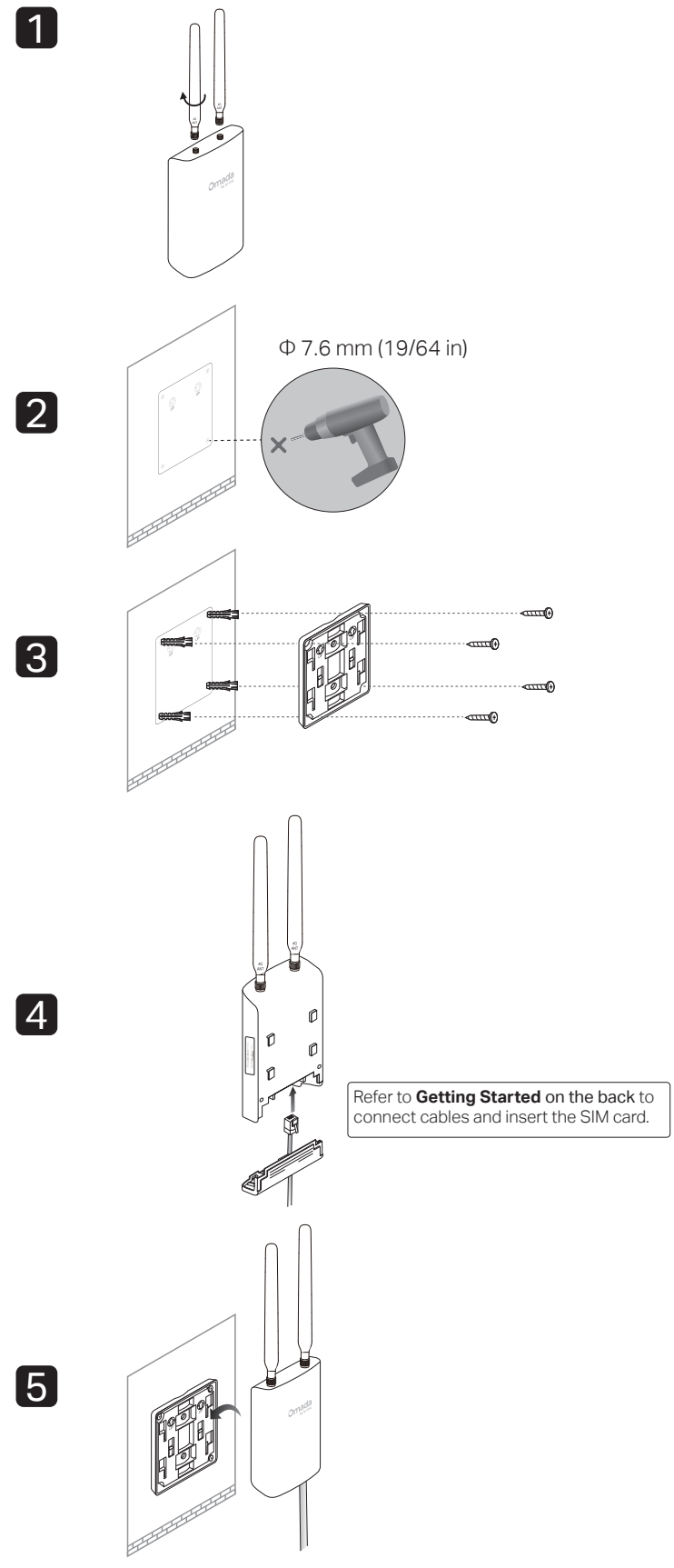
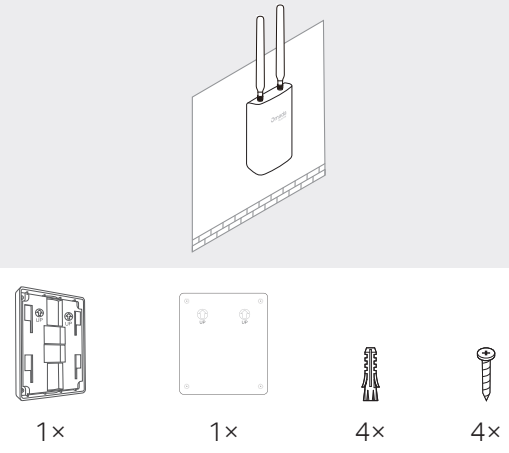
Mount the gateway

Note: The device can be pole-mounted or wall-mounted. Follow the steps below for the appropriate installation and make sure the device is installed with its ports facing down.

Option 1: Pole Mounting

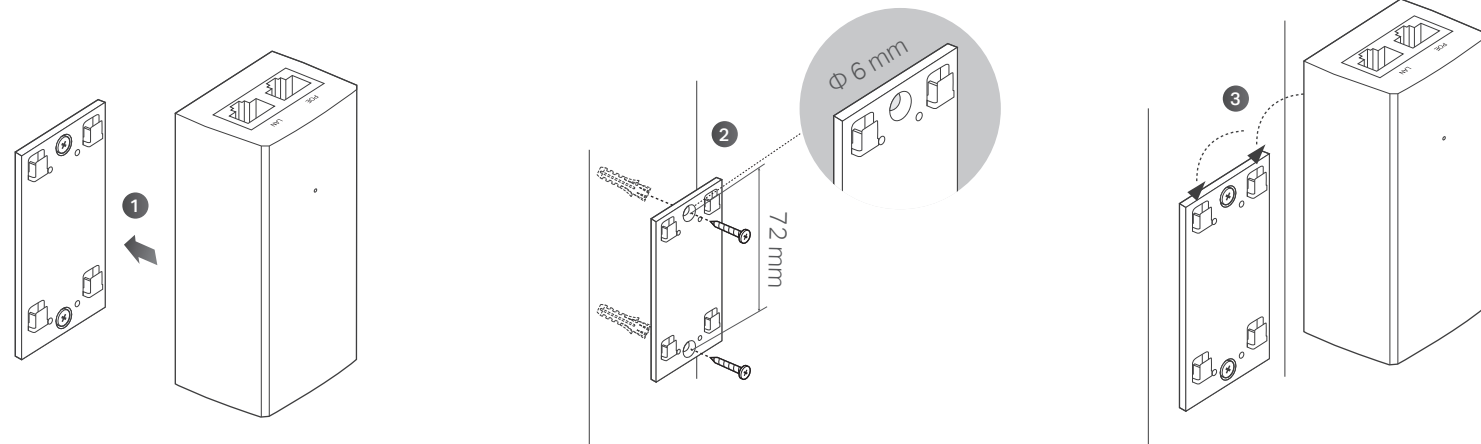


Option 2: Wall Mounting



Mount the PoE adapter (optional)

Note: This equipment shall be installed at a height of less than 2 meters.



Getting Started

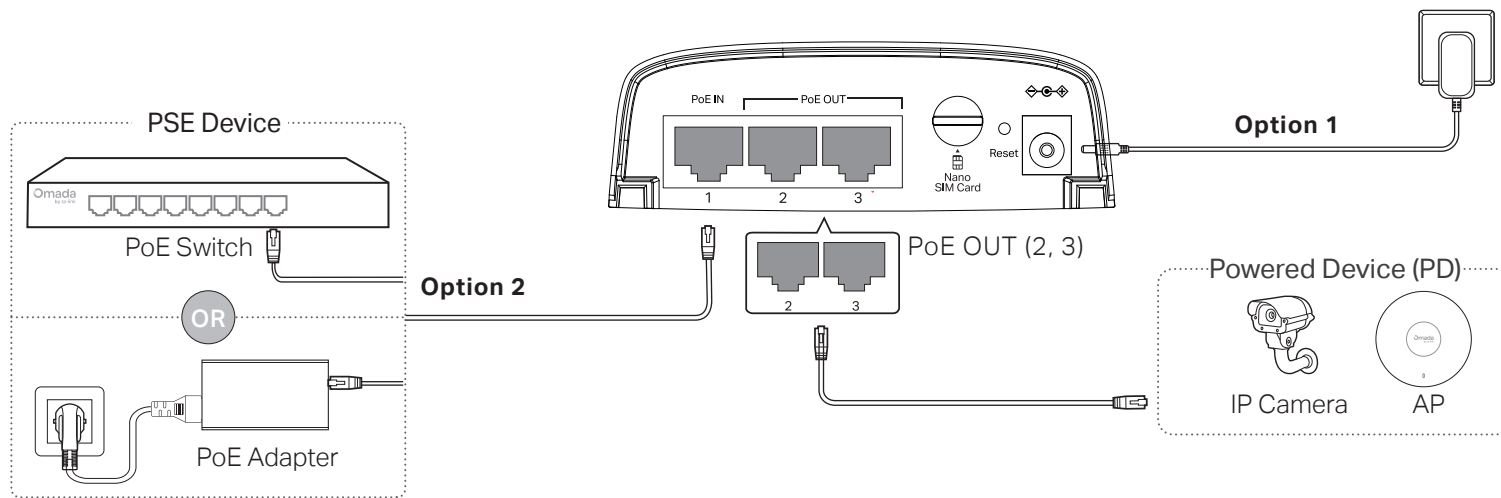
1 Power on the gateway.

Option 1: Via power adapter (not provided)

Connect a DC power adapter to the power port of the gateway.

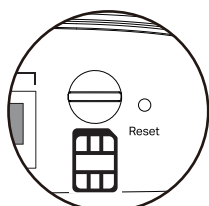
Option 2: Via a PSE device

Connect the PoE IN port to a PoE switch or a PoE injector (e.g., the provided PoE adapter).

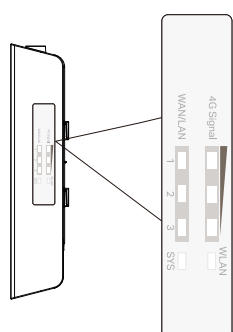


2 Connect to the internet.

a. With the gold contacts facing up, insert the nano SIM card into the slot until you hear a click.



b. Check the LED status. Wait until the SYS LED flashes slowly and the 4G Signal LED turns solid, indicating the gateway is connected to the internet.



Note: For better internet connection, make sure two or three Signal LEDs are lit. Otherwise, try relocating the gateway to a spot that may receive a stronger mobile network signal.

Note: You can also connect the gateway to the internet via Ethernet, but ports 1, 2, and 3 are LAN ports by default and you will need to configure the desired port as a WAN port via the management page first.

3 (Optional) Connect the powered devices.

Connect the powered devices to the PoE OUT ports for power supply and data transmission.

Notes:

- The PoE OUT ports can also be connected to non-PoE devices, but only transmit data.
- For **ER703WP-4G-Outdoor**:
 - Only when the gateway is powered by 802.3bt, can it supply power to its connected PD devices. Note that the provided PoE adapter is a passive adapter, not an 802.3bt adapter.
 - Maximum PoE power is 30W per port, with a total PoE budget of 27W/45W for all PoE ports when powered by 802.3bt (Type 3, 60W)/802.3bt (Type 4, 90W), respectively.
- For **ER603WP-4G-Outdoor**:
 - When the gateway is powered by DC input, it cannot supply power to its connected PD devices.
 - Maximum PoE power is 30W per PoE port, with a total PoE budget of 34W/52W for all PoE ports when powered by 802.3bt (Type 3, 60W)/802.3bt (Type 4, 90W), respectively.
 - Maximum PoE power is 9W/13W per PoE port, with a total PoE budget of 9W/13W for all PoE ports when powered by Passive (the provided PoE adapter)/802.3at (30W), respectively.
 - Only one PoE OUT port can supply power when powered by Passive PoE. If both ports are connected to PD devices, power delivery depends on PoE priority. By default, both PoE OUT ports share the same priority, and the first connected PD device will be powered on. You can change PoE priority on the gateway's web management page.
 - Do not supply power through the gateway when it is powered by 802.3af.
- PoE budget calculations are based on laboratory testing. Actual PoE power budget is not guaranteed and will vary as a result of client limitations and environmental factors.
- The Ethernet cable included in the package cannot be used for PoE power supply.

LED Status

ER703WP-4G-Outdoor:

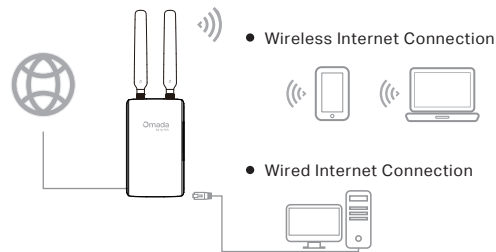
LED	Indication
SYS	Flashing Slowly: System is running normally. Flashing Quickly: The gateway is being reset. On/Off: System is starting up or running abnormally.
4G Signal	Flashing: SIM card is trying to connect to the internet. On: Indicates the signal strength the gateway received from the mobile internet. More LEDs indicate a better signal strength. Off: No mobile internet signal.
WLAN	On: Wireless networking is enabled. Off: Wireless networking is disabled.
1 (PoE IN)	Yellow On: Running at 1000/100/10 Mbps and powered by 802.3at or Passive PoE or DC Input, but no activity. Yellow Flashing: Running at 1000/100/10 Mbps and powered by 802.3at or Passive PoE or DC Input, and transmitting or receiving data. Green On: Running at 1000/100/10 Mbps and powered by 802.3bt, but no activity. Green Flashing: Running at 1000/100/10 Mbps and be powered by 802.3bt, and transmitting or receiving data. Off: Not running or no device is connected to the corresponding port.
2&3 (PoE OUT)	Yellow On: Running at 1000/100/10 Mbps, but no activity. Yellow Flashing: Running at 1000/100/10 Mbps, and transmitting or receiving data. Green On: Running at 1000/100/10 Mbps while providing PoE Power, but no activity. Green Flashing: Running at 1000/100/10 Mbps while providing PoE Power, and transmitting or receiving data. Off: Not running or no device is connected to the corresponding port.

ER603WP-4G-Outdoor:

LED	Indication
SYS	Flashing Slowly: System is running normally. Flashing Quickly: The gateway is being reset. On/Off: System is starting up or running abnormally.
4G Signal	Flashing: SIM card is trying to connect to the internet. On: Indicates the signal strength the gateway received from the mobile internet. More LEDs indicate a better signal strength. Off: No mobile internet signal.
WLAN	On: Wireless networking is enabled. Off: Wireless networking is disabled.
1 (PoE IN) 2&3 (PoE OUT)	On: Running at 1000/100/10 Mbps, but no activity. Off: Not running. Flashing: Running at 1000/100/10 Mbps and transmitting or receiving data.

Management

• **Standalone Mode:** Configure and manage the gateway individually.



To set up a standalone Omada gateway, scan the QR code or refer to

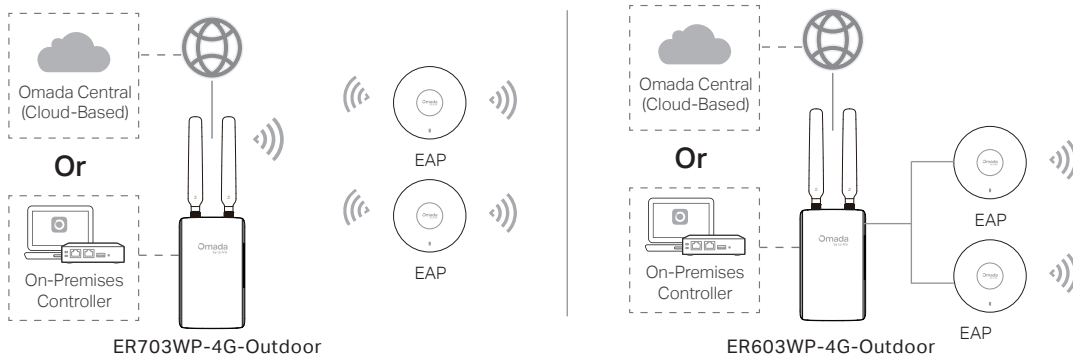
<https://www.omadanetworks.com/support/faq/4097/>



Scan for Standalone Configuration Guide

Default SSIDs:
Omada_XGHz_XXXXXX
(e.g., Omada_2.4GHz_1A2B3C)
Default Access:
<https://omadaer.net>

• **Controller Mode:** Configure and manage the network devices centrally.



To set up an Omada gateway with an Omada Controller, scan the QR code or refer to <https://www.omadanetworks.com/support/faq/4096/>



Scan for Controller Configuration Guide

Omada App

With the TP-Link Omada app, you can access and manage your Omada devices at a local site or remotely with a tap of your phone. You can download and install the TP-Link Omada app from the App Store or Google Play.



Scan for Omada App



Omada App

Safety Information

- Do not attempt to disassemble, repair, or modify the device. If you need service, please contact us.
- Do not use the device where wireless devices are not allowed.
- Do not use damaged charger or USB cable to charge the device.
- Do not use any other chargers than those recommended.
- Keep the device away from fire or hot environments. DO NOT immerse in water or any other liquid.
- The device can be powered only via a power adapter or a PSE device (such as a PoE switch) which complies with Power Source Class 2 (PS2) or Limited Power Source (LPS) of IEC 62368-1.
- Use only power supplies listed in the user instructions. Refer to the User Manual on the product support page.
- The adapter should be used indoors where the ambient temperature is lower than or equal to 40 °C.
- Plug the adapter into the wall outlets with earthing connection through the power supply cord.
- The plug on the power supply cord is used as the disconnect device, the socket-outlet shall be easily accessible.

EU Declaration of Conformity

TP-Link hereby declares that the gateway is in compliance with the essential requirements and other relevant provisions of directives 2014/53/EU, 2011/65/EU and (EU) 2015/863.

The original EU declaration of conformity may be found at <https://www.tp-link.com/en/support/ce/>.

UK Declaration of Conformity

TP-Link hereby declares that the gateway is in compliance with the essential requirements and other relevant provisions of the Radio Equipment Regulations 2017.

The original UK declaration of conformity may be found at <https://www.tp-link.com/support/ukca/>.

